

## POLYURETHANE BENCH

Polyurethane bench has a high abrasion resistance and is recommended for clean room use.

### > Benefits

- Made in Mexico
- Traceability through bar code
- Spare parts available
- High abrasion resistance and recommended for clean room use



## RECOMMENDED FOR CLEAN ROOM USE

### > General information

Size / Length	Max height 81.30 cm Max height 50.80 cm
UM	Pieces
Production / Sale batch	1 Pieces
Colors	Black ■

Industry	Electronics, aeronautics , automotive, telecommunications and medical
Cleaning	Use a damp cloth

### > Technical Information

Lower limit (ohms)	$1 \times 10^6$
Upper limit (ohms)	$< 1 \times 10^9$
Voltage generation	$< 100$ v
Download time	0.1 sec

### > Standards , warranties and care

Standards	ANSI/ESD S20.20-2014 ANSI/ESD STM12.1-2006
Physical guarantee	12 months
Electric guarantee	12 months

### > Cautions

Do not expose to chemical agents or aggressive substances

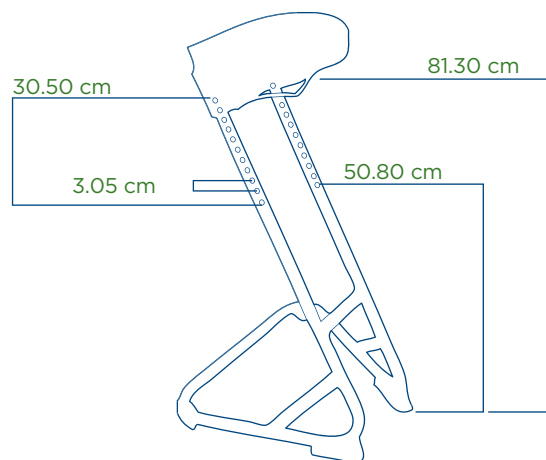
Before the final use of the product, we recommend the user to perform a detailed assessment of the same through the implementation and use of significant samples. Users are responsible for checking the validity of the information provided.

## MODELS CHART

> Code	> Name	> Description	> Production batch pieces	> Standard packing pieces
ECH-1501	Polyurethane ESD bench	Black dissipative polyurethane, height adjustable, chromed Steel	1	1

## MEASURES AND POSITIONS DIAGRAM

The polyurethane bench is adjustable on 11 levels, there is a 3.05cm distance between each level, the minimum height of the stool is 50.80cm and the maximum height is 81.30cm, as showed on the next diagram:



Before the final use of the product, we recommend the user to perform a detailed assessment of the same through the implementation and use of significant samples. Users are responsible for checking the validity of the information provided.